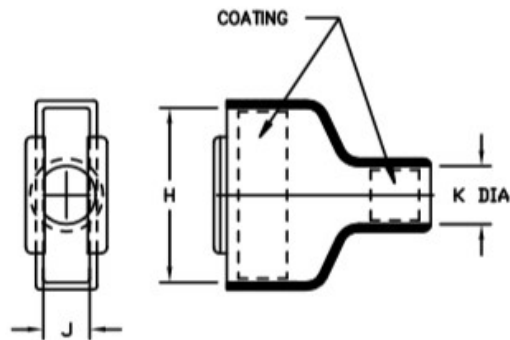


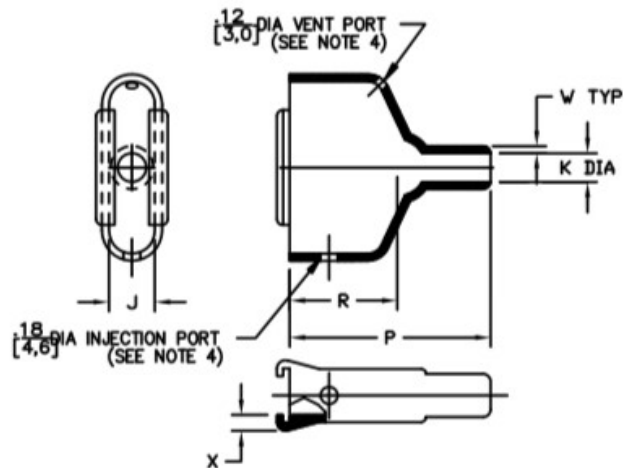
Moulded Parts 214A011 to 214A052 (rectangular, D-SUB)

These moulded parts or heat shrink boots are used for mechanical protection and cable strain relief. This version is ideal for cable harness applications where cable branches and breakouts are required. Our moulded parts combine an easy and quick installation with high electric strength, mechanical toughness and chemical and environmental resistance. These moulded parts are with or without coating available.

As supplied



After heating



Dimensions in mm

Injection and vent port available only on request

Part number	Inside diameter (coating reduces Ø max. 1.5mm)						P	R	W	X	Fits to	
	As supplied		After heating		Tolerance +/- 10%	Tolerance +/- 20%					Cannon	Amphenol Series 17
	H	J	K	H	J	K						
214A011	20.3	10.7	7.9	20.3	10.7	4.1	33.3	19.1	1.0	3.0	DE-9	XX09X
214A021	28.2	10.7	10.2	28.2	10.7	5.3	38.9	22.1	1.0	3.0	DA-15	XX15X
214A032	42.2	10.7	14.0	42.2	10.7	8.1	45.0	25.4	1.0	3.0	DB-25	XX25X
214A042	58.7	10.7	17.3	58.7	10.7	8.6	53.3	28.4	1.0	3.0	DC-37	XX37X
214A052	57.9	13.7	19.1	57.9	13.7	10.7	61.0	31.8	1.0	3.0	DD-50	XX50X

Material (not all combinations available)

Ordering Code	Material	Operating temperature range
-3	Polyolefin, semi-rigid	-55°C to +135°C
-4	Polyolefin, flexible	-55°C to +135°C
-12	Fluoroelastomer, flexible	-55°C to +200°C
-25	Elastomer, fluid resistant	-75°C to +150°C
-100	Polyolefin, halogen free	-30°C to +105°C

Coating, Adhesive

Ordering code	Material	Operating temperature range
/42	Polyamide, hot-melt	-20°C to +60°C
/86	High performance, hot-melt	-55°C to +120°C
/225	Epoxy/Polyamide	-75°C to +150°C

Colour

Ordering Code	Colour
-0	Black